

Art. G90004



properties

installation : may be used with wet or dry walls.

load resistance : does not carry any load because it is used with floor standing bowls.

working pressure range : 0,2-16 bar

fill duration : 39secs for 6 lt at 3 bars

flush volume :

3/6litre (can be adjusted between 2,5-4,5lt/ 4,5-9lt)

supply water connection : 1/2" M

insulation : moulded styrofoam against condensation and noise.

part list in box : protective channel, flush pipe and adapter seal, net, installation manual, fixing set for brick.

stop valve for supply line : brass angle valve included in product

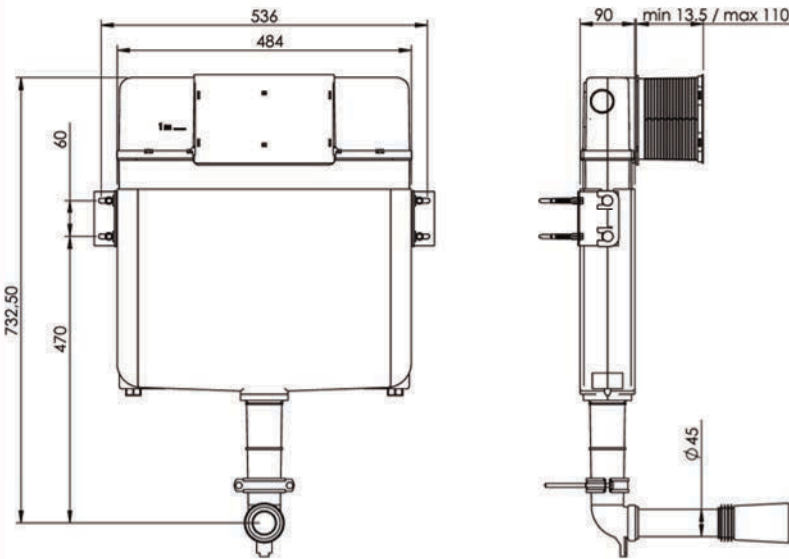
packaging dimensions : 100*820*620mm

weight : 4,5kg

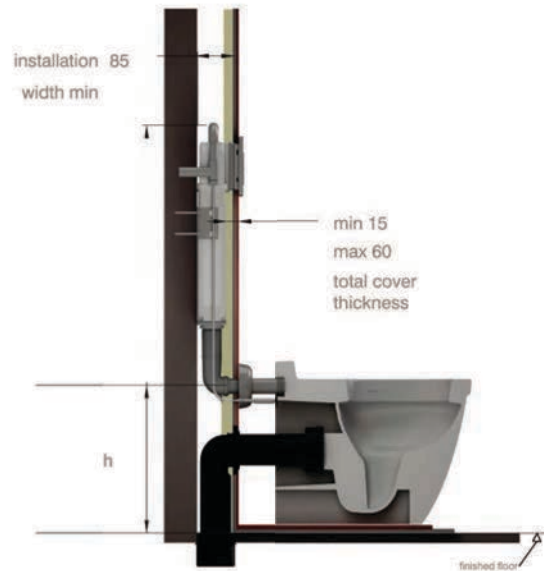
thicknesses : 8,5cm

product dimensions

h is the average distance between bolt axis and finished floor surface. Correct distance should be adjusted referring to bowl technical manual.



installation section



installation types



1

wall supporting application into wet wall



2

wall supporting application in wet wall



3

prewall self supporting application for light wall



4

floor mounted self supporting application for light walls